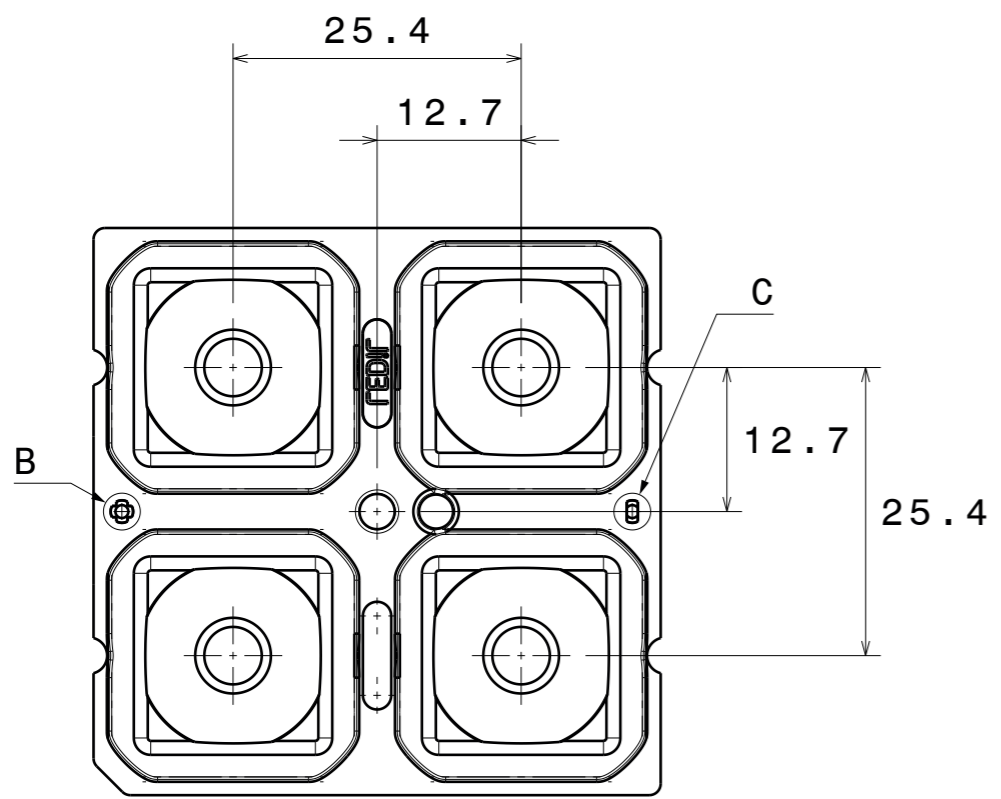


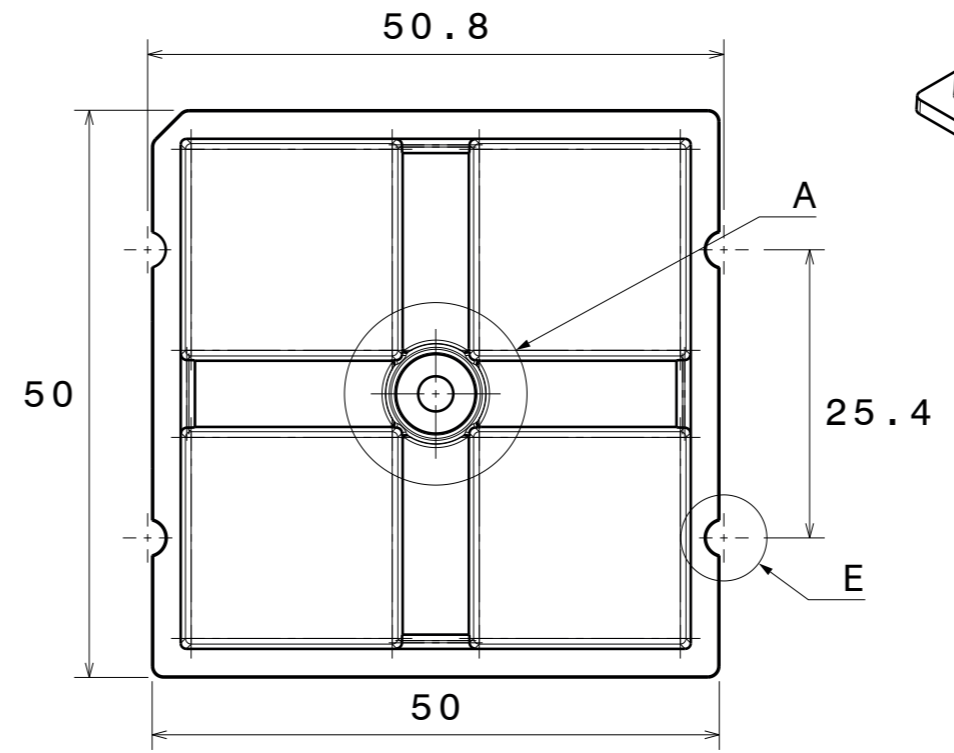
H G F E D C B A

4

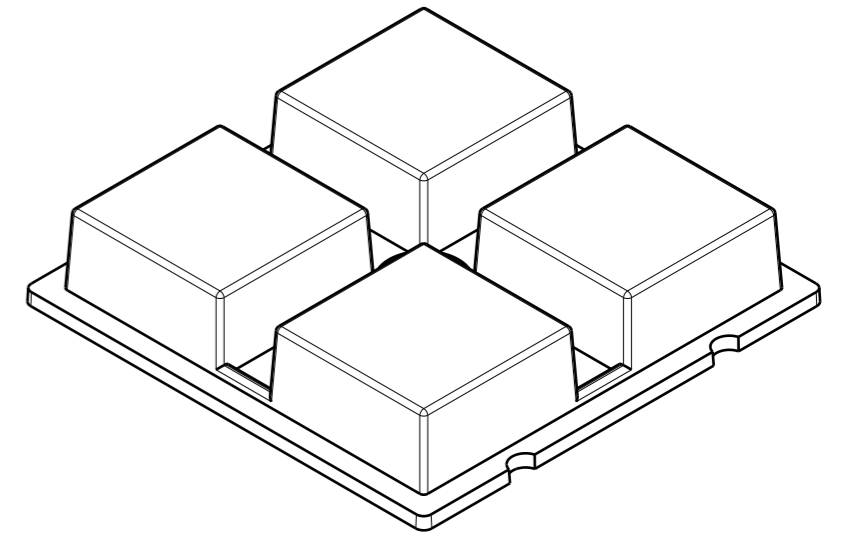
4



Bottom view



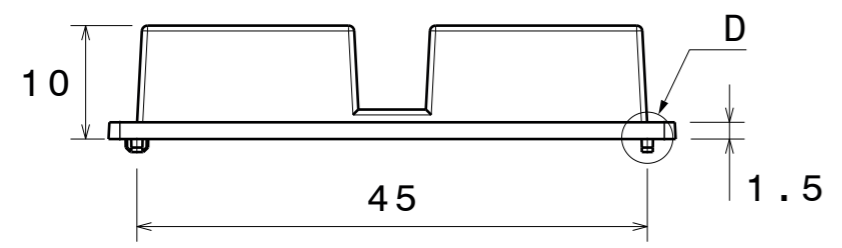
Top view



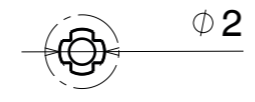
Isometric view

3

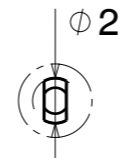
3



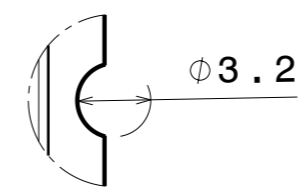
Front view



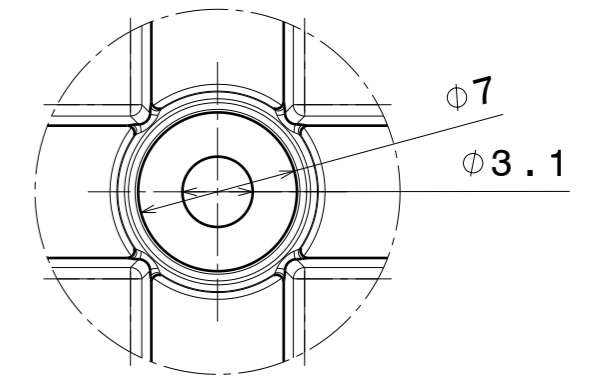
Detail B



Detail C



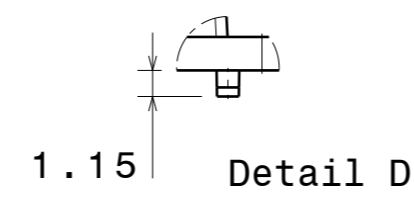
Detail E




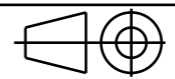
Detail A

2

2



Detail D

Plastic moulding general tolerances according to DIN 16901-130 and applies if not otherwise shown in the drawing. Silicone moulding general tolerances according to ISO 3302-1 Class M3 and applies if not otherwise shown in the drawing.	 Ledil Oy Salorankatu 10 FIN 24240 SALO Finland		
	THIRD ANGLE PROJECTION: 		
This drawing is the property of LEDiL Oy. It may not be reproduced, copied or communicated without a written agreement with LEDiL Oy.	DRAWING TITLE <b>C14541_HB-2X2-RS</b>		
	SIZE <b>A3</b>	PART NUMBER <b>C14541</b>	
SCALE <b>3:2</b>	WEIGHT -	SHEET <b>1/1</b>	

H G B A

1

1